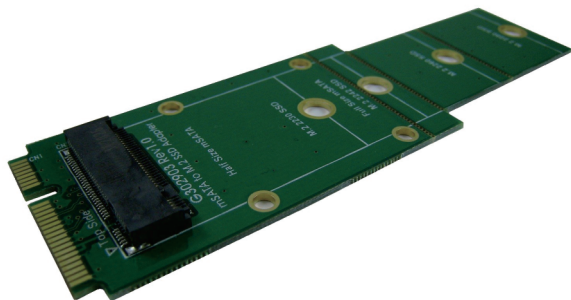
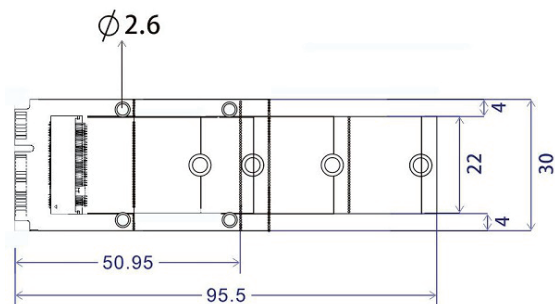


mSATA to M.2 NGFF B key connector adapter



Dimensions (unit:mm)



Order Information

Part No.	AD913A
Description	mSATA(Mini PCI-e 52pin) golden finger to M.2 NGFF B key connector Interposer Card

Features

- Build in M.2 NGFF B key 67pin connector
- Connected M.2 SSD signal to mSATA Signal port

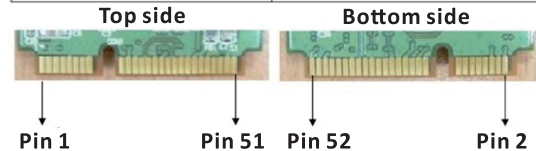
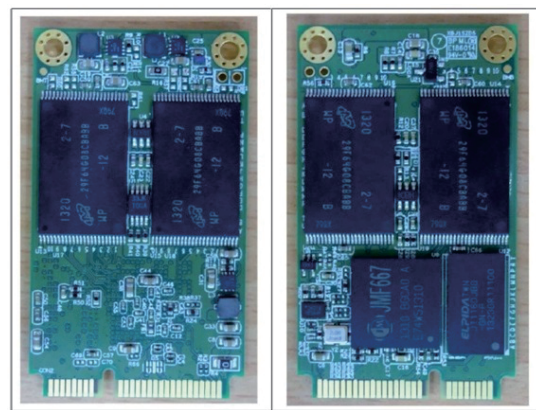
Specifications

- PCI Express M.2 Spec. Rev. 0.7, Ver. 1.0
- PCI Express Mini Card Electromechanical Spec. 1.2
- SerialATA_Revision_3_2_Gold

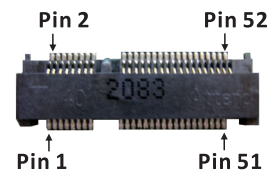
Support M.2(NGFF) SSD Form factor

- Type 2280-D2-B-M: 80mm(L) x 22mm(W)
- Type 2260-D2-B-M: 60mm(L) x 22mm(W)
- Type 2242-D2-B-M: 42mm(L) x 22mm(W)
- Type 2230-D2-B-M: 30mm(L) x 22mm(W)

mSATA 52pin golden finger



Device connector : mSATA 52pin golden finger



mSATA 52pin connector